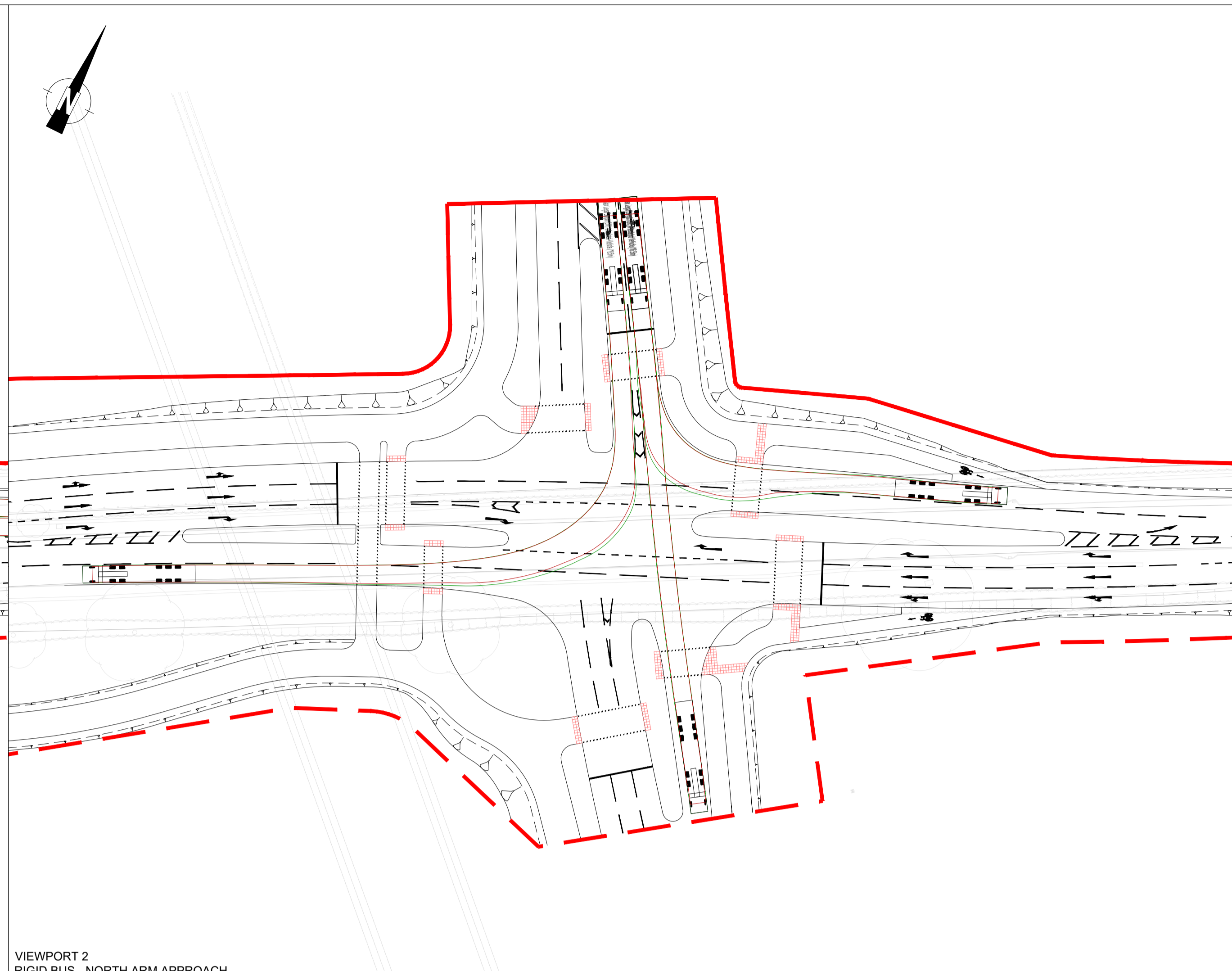
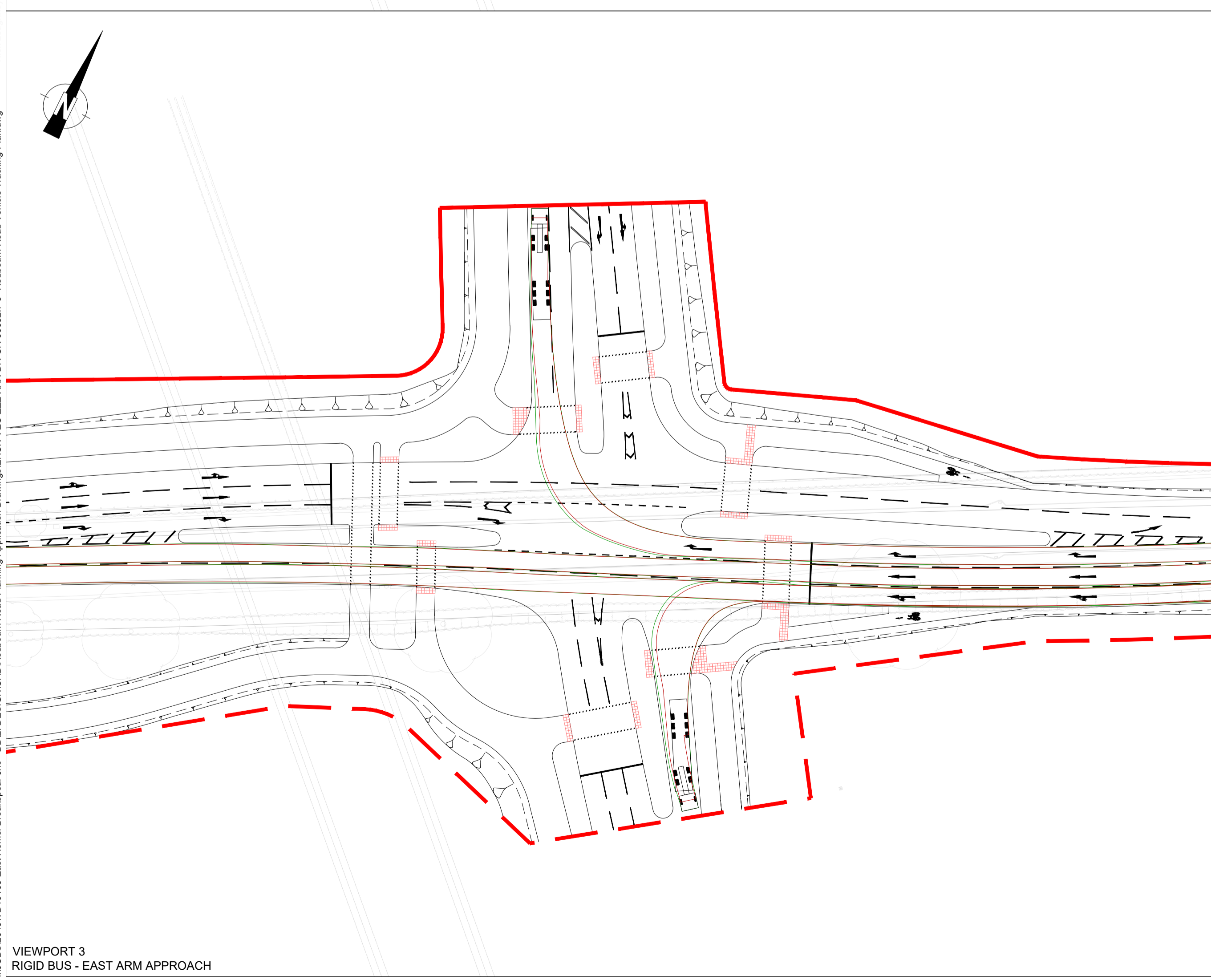


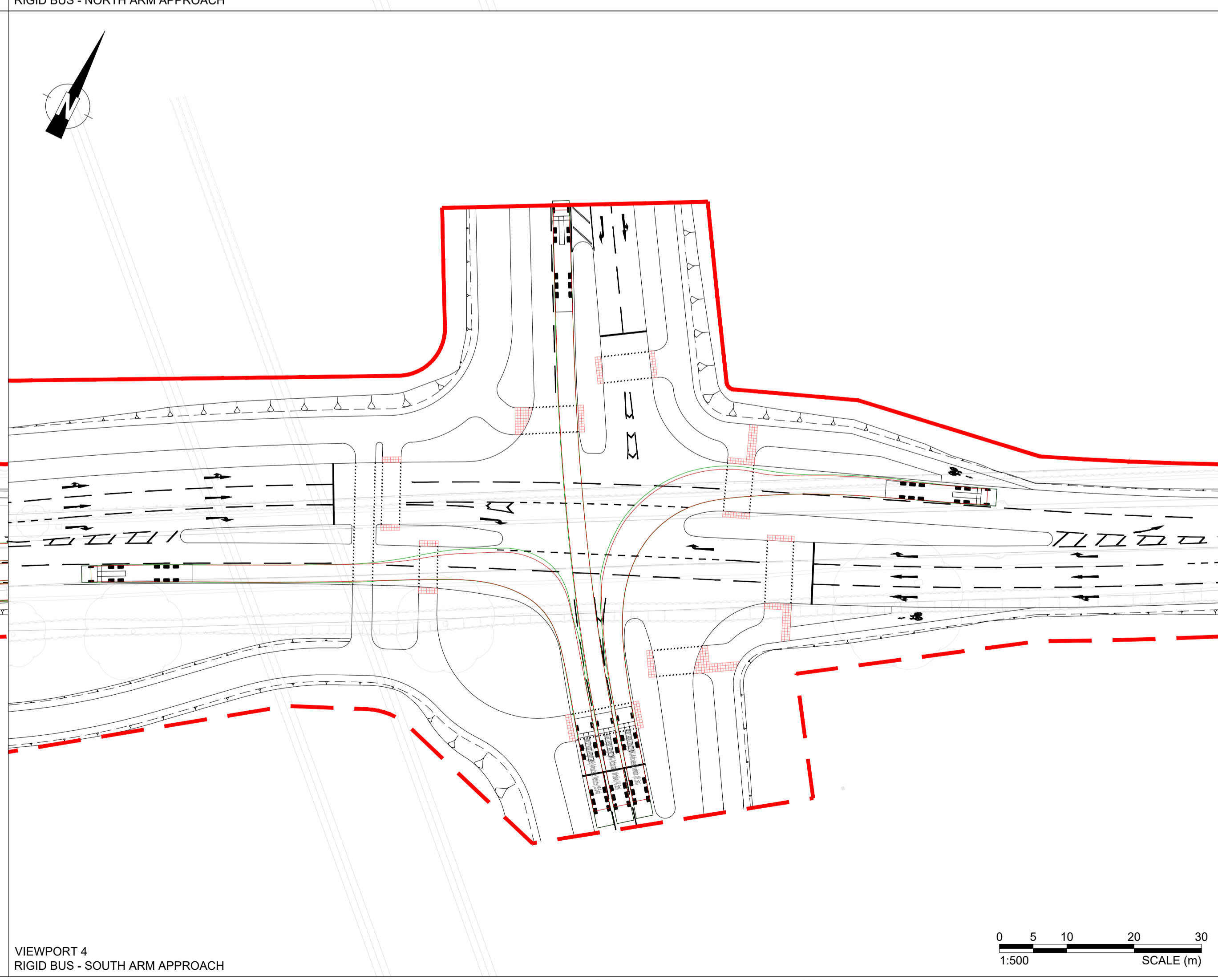
VIEWPORT 1  
RIGID BUS - WEST ARM APPROACH



VIEWPORT 2  
RIGID BUS - NORTH ARM APPROACH



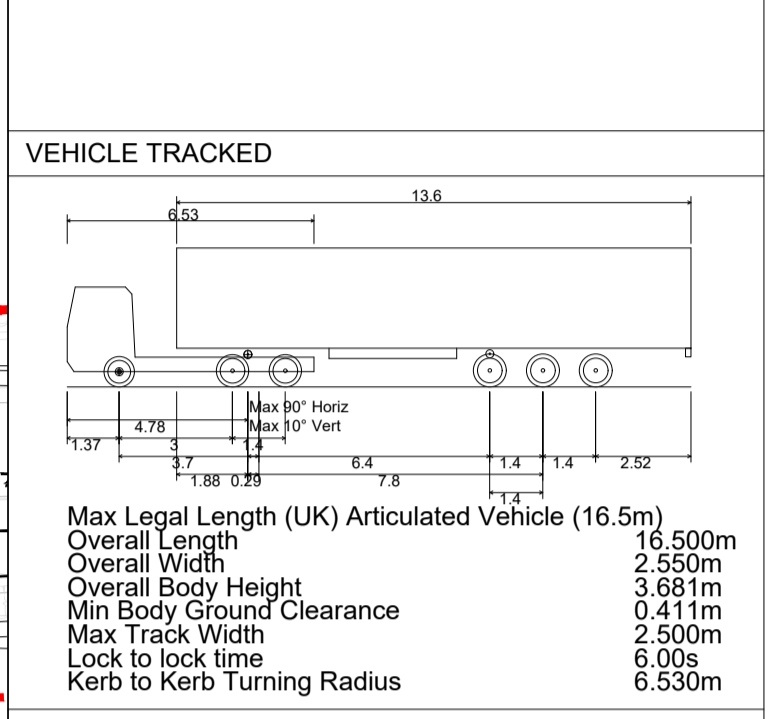
VIEWPORT 3  
RIGID BUS - EAST ARM APPROACH



VIEWPORT 4  
RIGID BUS - SOUTH ARM APPROACH

- NOTES
1. THE HIGHWAY AUTHORITY IS HERTFORDSHIRE COUNTY COUNCIL EXCEPT FOR THE M1 SLIP ROADS WHERE NATIONAL HIGHWAYS ARE THE HIGHWAY AUTHORITY.
  2. ANY DISCREPANCIES ON SITE MUST BE REPORTED TO THE PROJECT MANAGER IMMEDIATELY.
  3. ALL WORKS ARE TO BE CARRIED OUT IN ACCORDANCE WITH THE APPROVED CONTRACT DRAWINGS WITHIN APPENDIX 0/4, THE ROADS IN HERTFORDSHIRE: HIGHWAY DESIGN GUIDE AND THE MANUAL OF CONTRACT DOCUMENTS FOR HIGHWAY WORKS (SHW) VOLUME 1 AND SPECIFICATION APPENDICES.

- KEY
- PLANNING REDLINE BOUNDARY
  - - - DETAILED JUNCTION WITH THE OUTLINE PLANNING APPLICATION BOUNDARY



P01	FIRST ISSUE	24.10.25	JB	NL	AB
Rev	Amendments	Date	By	Chk	Auth



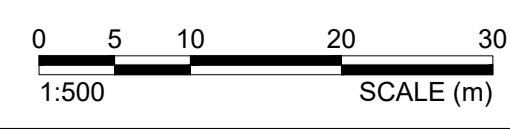
Drawing Status & Suitability Code  
FOR PLANNING SUBMISSION S2

Client  
THE CROWN ESTATE

Project  
EAST HEMEL HEMPSTEAD

Drawing Title  
DETAILED PLANNING - REDBOURN ROAD  
VEHICLE TRACKING PLAN, SHEET 3

Scale	1:500	@ A1	SLR Project No.	425.065533.00001			
Designed	JB	Drawn	JB	Checked	NL	Authorised	AB
Date	14.10.25	Date	14.10.25	Date	14.10.25	Date	14.10.25
Drawing Number	EHUK-VEC-ZZZ-SK-CR-00082.9			Rev	P01		



191112025

I:\085\2019\WD19103 East Hemel Hempstead Road Planning Application Drawings\EHUK-VEC-ZZZ-SK-CR-00082.9 - Redbourn Road Vehicle Tracking Plan.dwg