



REFER TO SHEET 1

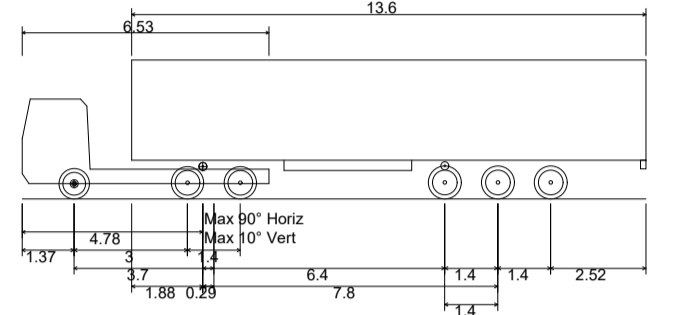
NOTES

1. THE HIGHWAY AUTHORITY IS HERTFORDSHIRE COUNTY COUNCIL EXCEPT FOR THE M1 SLIP ROADS WHERE NATIONAL HIGHWAYS ARE THE HIGHWAY AUTHORITY.
2. ANY DISCREPANCIES ON SITE MUST BE REPORTED TO THE PROJECT MANAGER IMMEDIATELY.
3. ALL WORKS ARE TO BE CARRIED OUT IN ACCORDANCE WITH THE APPROVED CONTRACT DRAWINGS WITHIN APPENDIX 0/4, THE ROADS IN HERTFORDSHIRE: HIGHWAY DESIGN GUIDE AND THE MANUAL OF CONTRACT DOCUMENTS FOR HIGHWAY WORKS (SHW) VOLUME 1 AND SPECIFICATION APPENDICES.

KEY

- PLANNING REDLINE BOUNDARY
- - - DETAILED JUNCTION WITH THE OUTLINE PLANNING APPLICATION BOUNDARY

VEHICLE TRACKED



Max Legal Length (UK) Articulated Vehicle (16.5m)
 Overall Length 16.500m
 Overall Width 2.550m
 Overall Body Height 3.681m
 Min Body Ground Clearance 0.411m
 Max Track Width 2.500m
 Lock to lock time 6.00s
 Kerb to Kerb Turning Radius 6.530m

REFER TO SHEET 3

REFER TO SHEET 4

P01	FIRST ISSUE	24.10.25	JB	NL	AB
Rev	Amendments	Date	By	Chk	Auth



Drawing Status & Suitability Code
FOR PLANNING SUBMISSION S2

Client
THE CROWN ESTATE

Project
EAST HEMEL HEMPSTEAD

Drawing Title
DETAILED PLANNING - A414 / GREEN LANE VEHICLE TRACKING PLAN, SHEET 2

Scale
1:500 @ A1 SLR Project No.
425.065533.00001

Designed	Drawn	Checked	Authorised
NL	NL	AB	AB

Date	Date	Date	Date
14.10.25	14.10.25	14.10.25	14.10.25

Drawing Number	Rev
EHUK-VEC-ZZZ-SK-CR-00084.12	P01

